



KERMANN



Kermann ExProof Industrial Z2 product line

Very high efficacy explosion-proof LED luminaire.



Zone 2 CE II 3G Ex ec nC IIC T5 Gc
Zone 22 CE II 3D Ex tc IIIC T90°C Dc

Maximal number of luminaires connected to 1 circuit breaker

The maximum number of luminaires connected to 1 circuit breaker may differ depending on the certain type of the circuit breaker. In each individual case, get contact with the circuit breaker's manufacturer!

Type of luminaire	Inrush current	Max. number of luminaires					
		B10	C10	D10	B16	C16	D16
ExProof Industrial Z2	65A / 485 µs	2	4	8	3	6	13
ExProof Industrial DUO Z2	130A / 485 µs	1	2	4	1	3	6

Type of luminaire	Ex Zone	Max power consumption	Luminous flux of luminaire*
ExProof Industrial Z2	Z2/Z22	132W	15800lm**
ExProof Industrial DUO Z2	Z2/Z22	269W	32000lm**

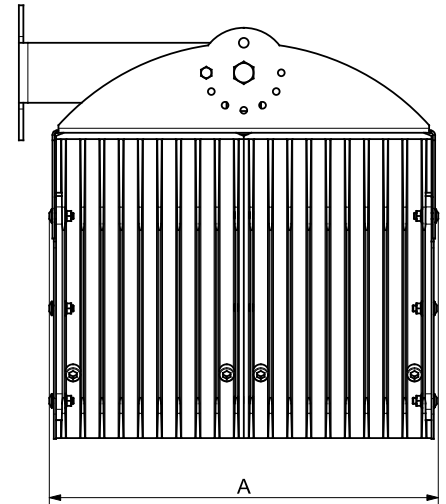
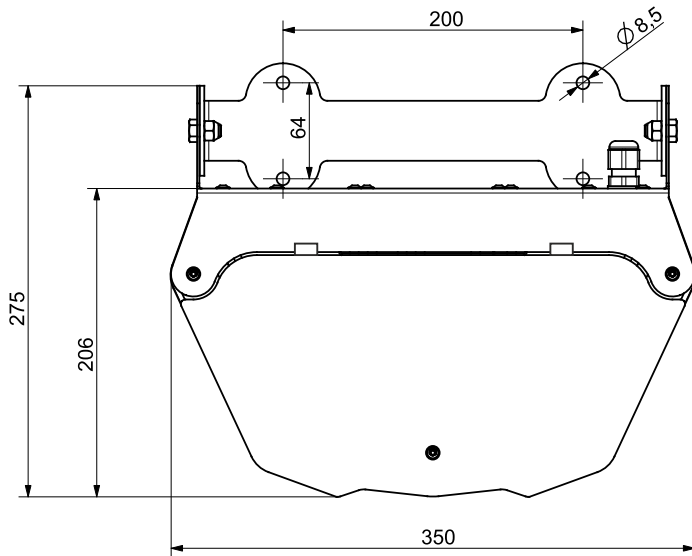
- prominently high luminaire efficacy, up to 120 lm/W
- 2-available beam angles
- available in DALI versions:
- Zone 2 and Zone 22 certificate
- Bridgelux LED light source
- Meanwell LED driver
- 3 available CCT: 3000; 4000 and 5000K
- CRI>80
- robust industrial design
- high quality materials
- different available mounting accessoires

*the luminous flux depends on type of optics, CCT and CRI
** at ta=25°C ambient temperature

Made in Hungary

Kermann Technical Developer Co. Ltd.
Hungary, H-1149 Budapest, Angol str 32. 4th building 2nd floor

e-mail: kermann-ex@kermann-ex.com
www.kermann-ex.com

**KERMANN****Kermann ExProof EasyLight X product line**

	A/mm	weight/Kg
Industrial	133	7
Industrial DUO	260	13

Industrial Z2 product line is equipped with LED light source. Thanks to the high quality design, the lifetime of the luminaire is very long, more than 55.000 hrs. The service costs are extremely low. The luminaire is can be ordered also with dimmable driver. A universal mounting bracket is included with the luminaire, which enables easy mounting on ceiling. There are different available mounting accessoires too, which permit of wall mounting, hanging or mounting on pipe bridges, lighting poles.



Nominal supply voltage:	220-240V AC / 220V DC
Power factor:	>0,9
CCT:	4000K
Optional CCT:	3000K,5000K
CRI:	>80 CRI
Beam angles:	60°/90°
IP class:	IP 65
IK class:	IK 09
Dimming (optional):	DALI
Electric protection:	CLASS I (protective earth)
Surface treatments:	Powder coating
Materials:	aluminium, galvanized steel, tempered glass
Lifetime: L90	>55 000 hrs
Ambient temperature:	-20°C - +50°C

The given information is for rough orientation only! In each individual case a lighting design is necessary! Subject to technical changes, misprints and errors.

Rev.:2021.03.

Kermann Technical Developer Co. Ltd.
Hungary, H-1149 Budapest, Angol str 32. 4th building 2nd floor

e-mail: kermann-ex@kermann-ex.com
www.kermann-ex.com