



KERMANN



Kermann ExProof EasyLight Z1 product line



Very high efficacy explosion-proof LED luminaire.

Zone 1 CE 1418 Ex II 2G Ex eb mb IIC T5 Gb

Zone 21 CE 1418 Ex II 2D Ex mb tb IIC T85°C Db



EU-type Examination Certificate nr.: BKI19ATEX0012

EU-type Examination Certificate nr.: BKI19ATEX0012X/1

Type of luminaire	Ex Zone	Power consumption	Luminous flux of luminaire*
ExProof EasyLight X2	Z1/Z21	22W	3090lm**
ExProof EasyLight X3	Z1/Z21	32W	4240lm**
ExProof EasyLight X4	Z1/Z21	43W	5540lm**
ExProof EasyLight X5	Z1/Z21	55W	6920lm**

- prominently high luminaire efficacy, up to 140 lm/W
- 2-available beam angles
- available in dimmable versions: 1-10V, PWM
- Zone 1; Zone 21 certificate
- Bridgelux LED light source
- Meanwell LED driver
- 3 available CCT: 3000; 4000 and 5000K
- CRI>80
- robust industrial design
- high quality materials
- different available mounting accessoires

*the luminous flux depends on type of optics, CCT and CRI

** at ta=25°C ambient temperature

Made in Hungary

Kermann Technical Developer Co. Ltd.

Hungary, H-1097 Budapest, Kiskalmár str. 3-7

e-mail: kermann-ex@kermann-ex.com

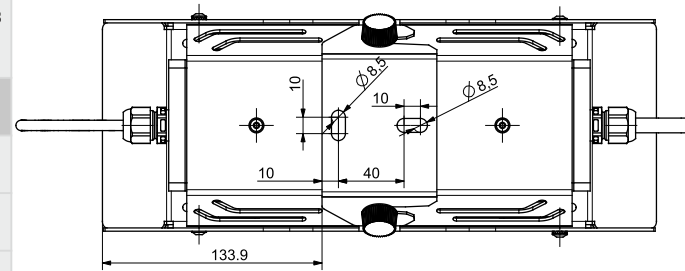
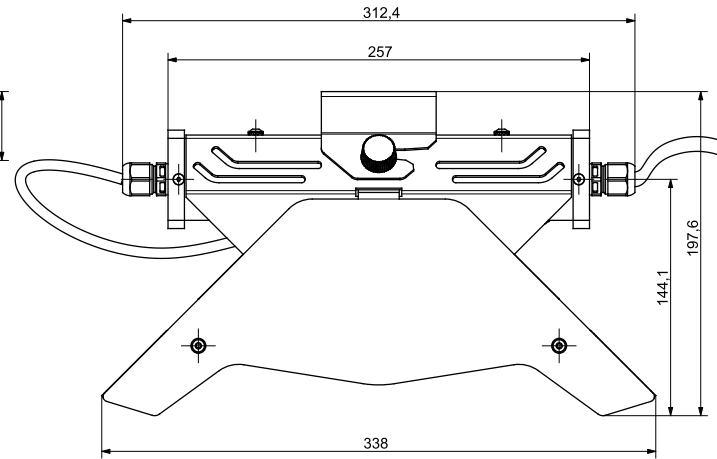
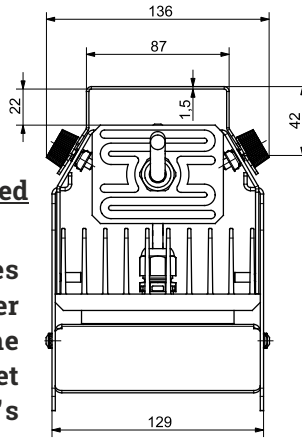
www.kermann-ex.com

**KERMANN****Kermann ExProof EasyLight X product line**

Dimensions: 312,4x136x197,6 mm
 Weight: 4,21 kg

Maximal number of luminaires connected to 1 circuit breaker

The maximum number of luminaires connected to 1 circuit breaker may differ depending on the certain type of the circuit breaker. In each individual case, get contact with the circuit breaker's manufacturer!



Type of luminaire	Inrush current	Max. number of luminaires				
		Type	10A	13A	16A	20A
ExProof EasyLight 1,21,2,22	55A / 270 µs	B	7	10	12	15
		C	12	16	20	25
		D	25	33	41	41

EasyLight X product line is equipped with LED light source. Thanks to the high quality design, the lifetime of the luminaire is very long, more than 50.000 hrs. The service costs are extremely low. The luminaire is can be ordered also with dimmable driver. A universal mounting bracket is included with the luminaire, which enables easy mounting on ceiling. There are different available mounting accessoires too, which permit of wall mounting, hanging or mounting on pipe bridges, lighting poles.



Nominal supply voltage:	220-240V AC / 220V DC
Power factor:	>0,9
CCT:	4000K
Optional CCT:	3000K,5000K
CRI:	>80 CRI
Beam angles:	60°/90°
IP class:	IP 67
IK class:	IK 09
Dimming (optional):	1-10V DC / 10V PWM
Electric protection:	CLASS I (protective earth)
Surface treatments:	Powder coating
Materials:	aluminium, stainless steel, glass
Lifetime:	>50 000 hrs
Ambient temperature:	-20°C - +45°C

The given information is for rough orientation only! In each individual case a lighting design is necessary! Subject to technical changes, misprints and errors.

Rev.:2022.09.

Kermann Technical Developer Co. Ltd.
 Hungary, H-1097 Budapest, Kiskalmár str. 3-7

e-mail: kermann-ex@kermann-ex.com
 www.kermann-ex.com